

AS85049/85, AS85049/86 and AS85049/87 Spring Termination Backshell

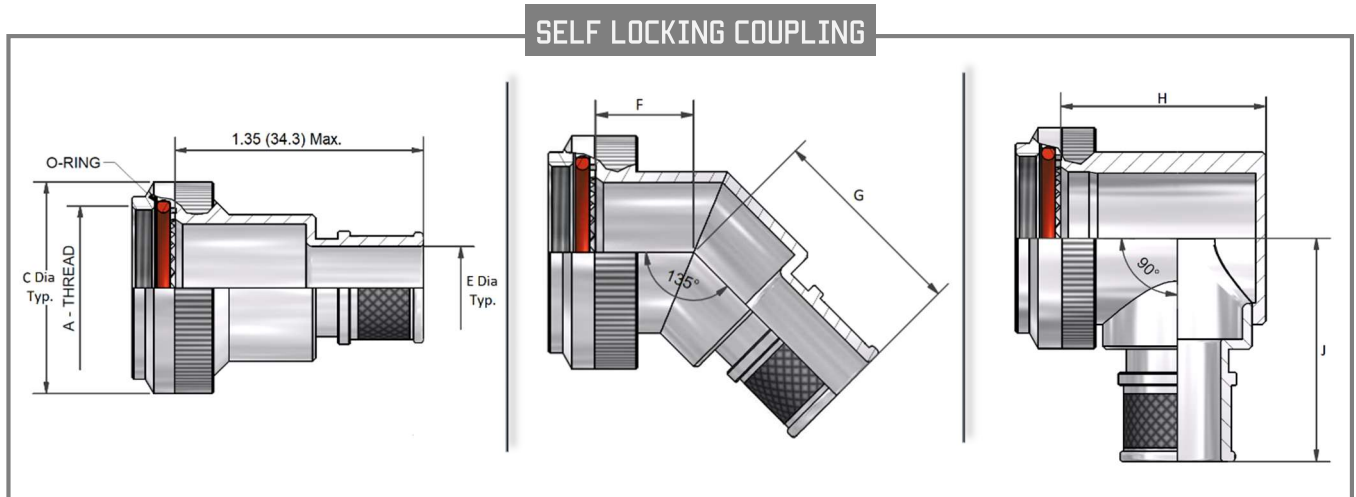
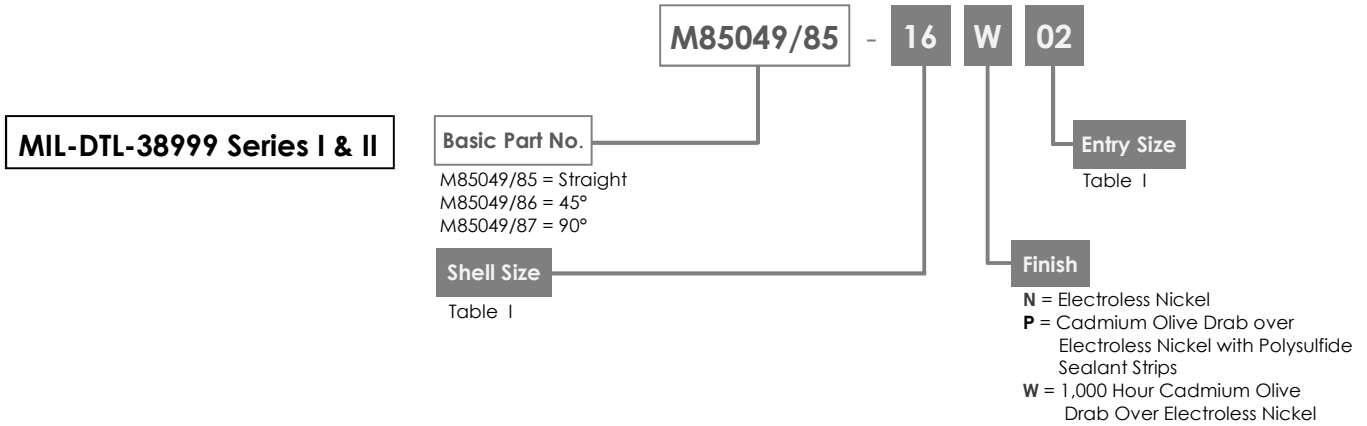


TABLE I

Shell Size	Connector Shell Size Series – II/I	A Thread Class 2B	C Dia Max	E Dia Cable Entry				F Max	G Max	H Max	J Max
				Size 02		Size 03					
				±.010	± (0,3)	±.010	± (0,3)				
8	8 / 9	.438 – 28 UNEF	21,8 (.860)	N/A	.250	(6,4)	22,1 (.870)	29,5 (1.160)	34,9 (1.375)	34,9 (1.375)	
10	10 / 11	.562 – 24 UNEF	25,1 (.990)	N/A	.312	(7,9)	22,9 (.900)	30,2 (1.190)	36,5 (1.437)	36,5 (1.437)	
12	12 / 13	.688 – 24 UNEF	29,5 (1.160)	.312	(7,9)	.438	(11,1)	23,4 (.920)	30,7 (1.210)	39,7 (1.562)	39,7 (1.562)
14	14 / 15	.813 – 20 UNEF	32,5 (1.280)	.438	(11,1)	.562	(14,3)	24,1 (.950)	31,5 (1.240)	42,8 (1.687)	42,8 (1.687)
16	16 / 17	.938 – 20 UNEF	35,8 (1.410)	.500	(12,7)	.625	(15,9)	24,9 (.980)	32,0 (1.260)	44,5 (1.750)	44,5 (1.750)
18	18 / 19	1.063 – 18 UNEF	38,6 (1.520)	.625	(15,9)	.750	(19,1)	24,9 (.980)	32,3 (1.270)	47,6 (1.875)	47,6 (1.875)
20	20 / 21	1.188 – 18 UNEF	41,7 (1.640)	.625	(15,9)	.812	(20,6)	25,7 (1.010)	33,0 (1.300)	49,2 (1.938)	49,2 (1.938)
22	22 / 23	1.313 – 18 UNEF	45,0 (1.770)	.688	(17,5)	.938	(23,8)	26,4 (1.040)	33,8 (1.330)	52,4 (2.062)	52,4 (2.062)
24	24 / 25	1.438 – 18 UNEF	48,0 (1.890)	.750	(19,1)	1.000	(25,4)	27,2 (1.070)	34,3 (1.350)	54,0 (2.125)	54,0 (2.125)

