

# AS85049/88, AS85049/89 and AS85049/90 Spring Termination Backshell

**MIL-DTL-38999 Series III & IV  
EN3645**

**Basic Part No.**

M85049/88 = Straight  
M85049/89 = 45°  
M85049/90 = 90°

**Shell Size**

Table I

**M85049/88**

**- 15**

**W**

**03**

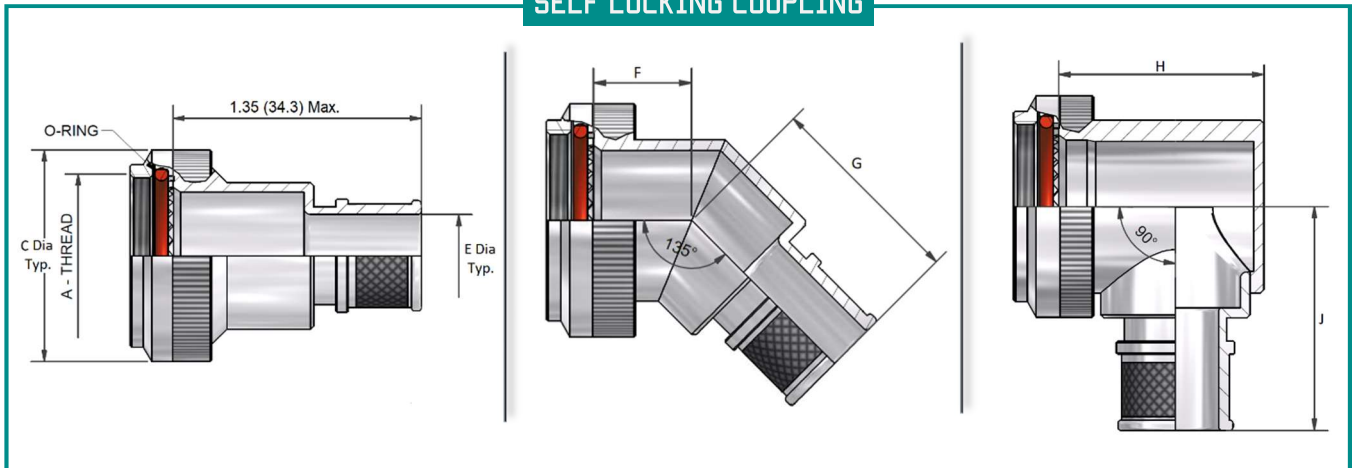
**Entry Size**

Table I

**Finish**

**N** = Electroless Nickel  
**P** = Cadmium Olive Drab over  
Electroless Nickel with Polysulfide  
Sealant Strips  
**W** = 1,000 Hour Cadmium Olive  
Drab Over Electroless Nickel

## SELF LOCKING COUPLING



**TABLE I**

Shell Size	A Thread Class 2B	C Dia Max	E Dia Cable Entry				F Max	G Max	H Max	J Max
			Size 02		Size 03					
			±.010	± (0,3)	±.010	± (0,3)				
9	M12 X 1 – 6H	21,8 (.860)	N/A		.250 (6,4)	25,7 (1.010)	29,5 (1.160)	34,9 (1.375)	36,0 (1.417)	
11	M15 X 1 – 6H	25,1 (.990)	N/A		.312 (7,9)	26,2 (1.030)	30,2 (1.190)	36,5 (1.437)	37,6 (1.480)	
13	M18 X 1 – 6H	29,5 (1.160)	.312 (7,9)	.438 (11,1)	.438 (11,1)	26,9 (1.060)	30,7 (1.210)	39,7 (1.562)	39,4 (1.553)	
15	M22 X 1 – 6H	32,5 (1.280)	.438 (11,1)	.562 (14,3)	.562 (14,3)	27,4 (1.080)	31,5 (1.240)	42,8 (1.687)	41,0 (1.614)	
17	M25 X 1 – 6H	35,8 (1.410)	.500 (12,7)	.625 (15,9)	.625 (15,9)	28,2 (1.110)	32,0 (1.260)	44,5 (1.750)	42,6 (1.678)	
19	M28 X 1 – 6H	38,6 (1.520)	.625 (15,9)	.750 (19,1)	.750 (19,1)	28,4 (1.120)	32,3 (1.270)	47,6 (1.875)	44,0 (1.733)	
21	M31 X 1 – 6H	41,7 (1.640)	.625 (15,9)	.812 (20,6)	.812 (20,6)	29,2 (1.150)	33,0 (1.300)	49,2 (1.938)	45,6 (1.796)	
23	M34 X 1 – 6H	45,0 (1.770)	.688 (17,5)	.938 (23,8)	.938 (23,8)	29,7 (1.170)	33,8 (1.330)	52,4 (2.062)	47,2 (1.859)	
25	M37 X 1 – 6H	48,0 (1.890)	.750 (19,1)	1.000 (25,4)	1.000 (25,4)	30,5 (1.200)	34,3 (1.350)	54,0 (2.125)	48,7 (1.919)	

